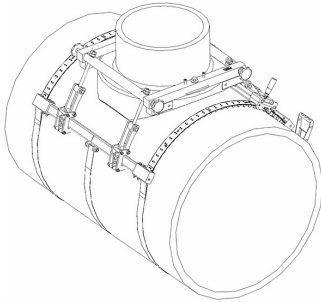


Installation set Topload TL 500

- Suitable for branch saddle d500-2000mm with spigot outlet d500
- Use of set is mandatory for the installation of branch saddles
- Set includes frame with tension belts, peeling tool, clamp for outlet d315mm/500mm and transport box
- Patent pending



Code	SP	Weight (kg)
799 300 809	1	124.000

The technical data are not binding. They neither constitute expressly warranted characteristics nor guaranteed properties nor a guaranteed durability. They are subject to modification. Our General Terms of Sale apply.

Georg Fischer Piping Systems Ltd, Postfach, CH-8201 Schaffhausen/Switzerland

Phone +41 -(0)52-631 1111

e-mail: info.ps@georgfischer.com

Internet: <http://www.gfps.com>